



Light Series

# P115V

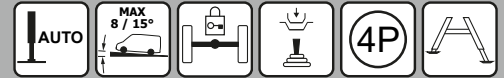
Telescopic platform with fixed boom mounted on van or chassis



### Standard equipment



### Extra equipment/Options



The range of available options depends on the vehicle.



### Technical specifications\*

<b>Max. working height:</b>	11.5 m
<b>Max. outreach:</b>	7.2 m
<b>Cage load capacity:</b>	230 kg
<b>Total weight:</b>	3500 kg
<b>Payload capacity:</b>	150 kg
<b>Platform rotation:</b>	460°
<b>Safe working angle:</b>	2°/5°
<b>Isolation:</b>	1000V

\* Exact specifications vary based on the individual build and chosen options.

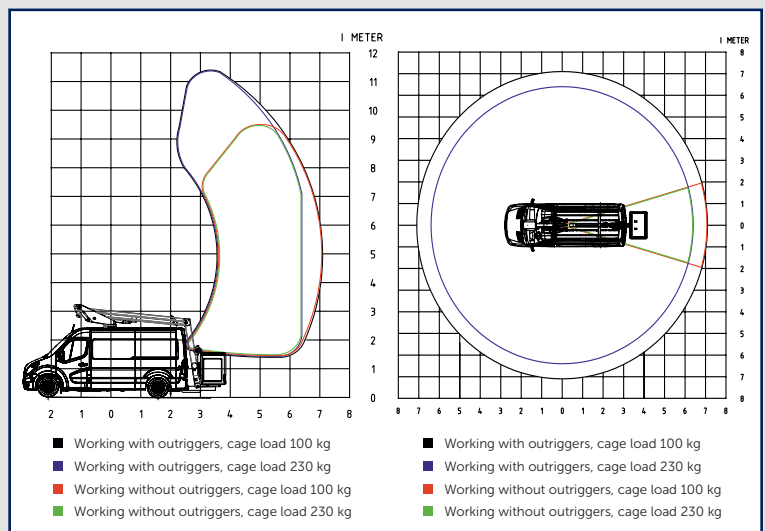
### Description

As the name implies, the Light Series is made for smaller and lighter vehicles up to a maximum weight of 3.5 tons. The platforms are also lighter in build, but still very stable due to their high-strength steel construction and the angles on the boom profile. The Light Series has all the necessary features as well as the most essential sensors and a max. cage capacity of 230 kg. The Light Series is perfect for jobs in tight spaces such as cities, where you need to be able to get around with ease and without disturbing traffic.

### Additional specifications:

P115V is intended for mounting on chassis, pickups or smaller vans. Short wheelbase. Fixed/not movable cage boom, which allows access to the cage from the underside protection. A-frame outriggers. Electric/hydraulic control. Outriggers and subframe are galvanized for long service life.

### Diagrams



### Images



The images in this literature may show options. Danilift A/S reserves the right to change technical information without notice.